
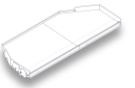






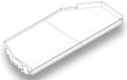










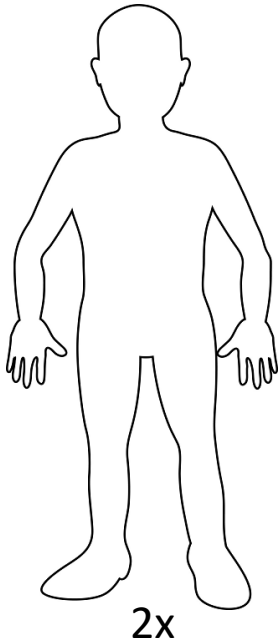
# *Installation manual* *TurnLoader ColdRoom*



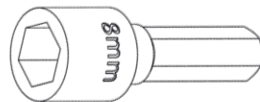
**easyfill**  
Clever store shelves

TurnLoader packing details					TurnLoader packing details				
Parts					Parts				
Picture	Product name	Art. No	Weight / item	Qty. / trolley	Picture	Product Name	Art.No	Weight/ item	Qty./ Shelf
	Top Part	0156-22000-0	10,5 Kg	1		Fixed Shelf 8°	0156-25000-0	2,3 kg	1
	Bottom Part	0156-24000-0	24,5 kg	1		Divider Easyfill Uni 620	400476	800 g	16
	Side profile for TL – 1762 mm	0156-17000-0	5 kg	2		Front stopper High H 94 mm	0156-01180-94	50 g	1
	Handle for Frame TL	0156-19100-0	650g	1					
	Connecting mat. for - Frame	0156-17900-0	100 g	1					

TurnLoader packing details	Accessories				
Picture	Product name	Art. No	Weight/ item	Qty. / trolley	
	Adjustable Shelf 0° - 12° /	0156-15000-0	3 kg	1	
	Fixed Shelf 8°	0156-25000-0	2.3 kg	1	
	Divider Easyfill Uni 620	400476	90 g	1	
	Front stopper High H 94 mm	0156-01180-94	45 g	1	
	Front stopper - low L 54 mm	0156-01180-54	40 g	1	
	Plastic adapter	0156-CLSTR- 459205 LE-1180	50 g	1	
	Rollertrack	40392	150 g	1	
	Pusher	0118-00000-0	50 g	1	
	Divider extender L= 483mm	889090	30 g	1	



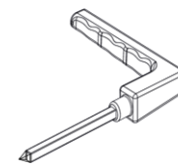
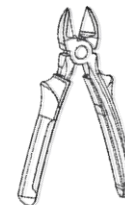
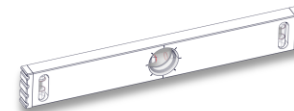
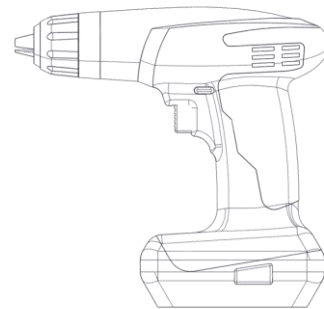
5 mm



screwdriver bit  
8mm



13 mm



Tex Din  
7504K  
M5  
(14x)



M8 x 16  
DIN 933  
(2x)



M8 x 25  
DIN 603  
(2x)



M8 x 12  
ISO 7380  
(2x)



M8 DIN  
985  
(2x)



M8 DIN  
934  
(2x)



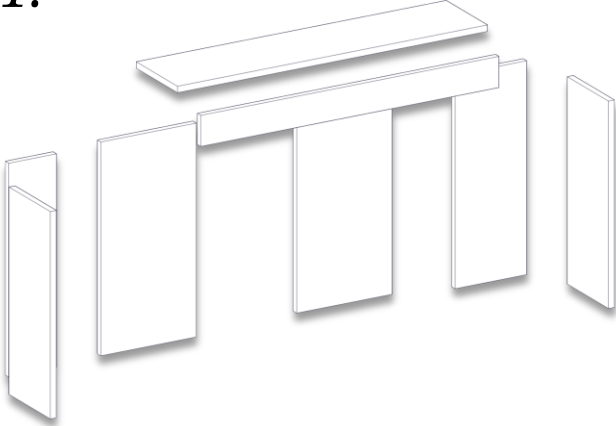
Allen Key  
4 mm  
(1x)



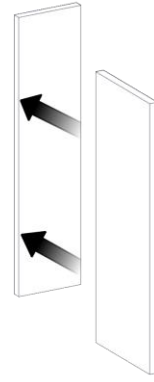
= Art.N.: 0156-17900-0

# Room assembly

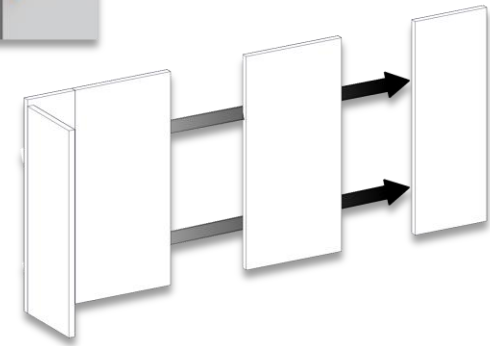
1.



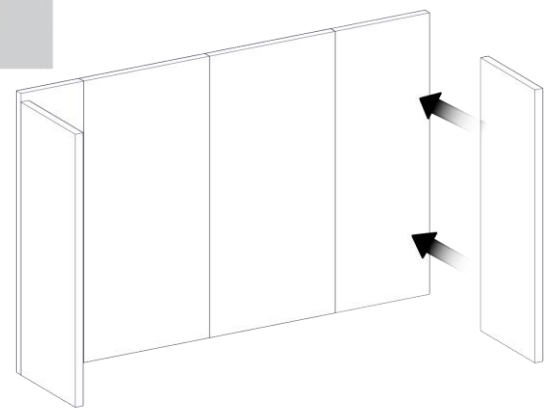
2.



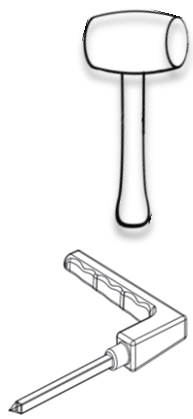
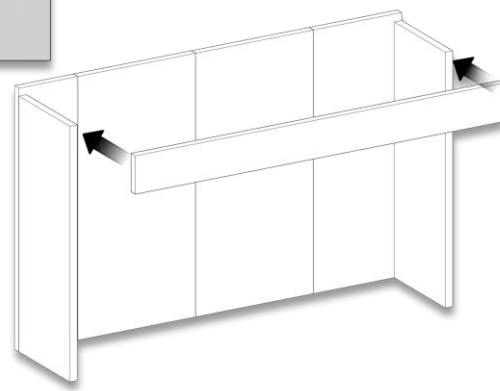
3.



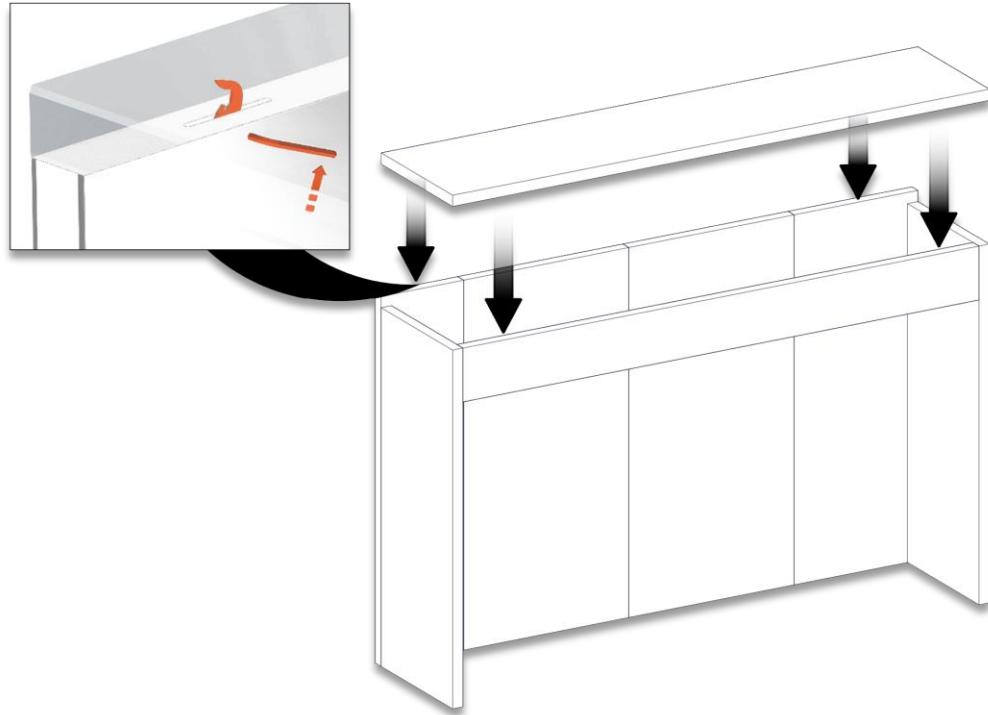
4.



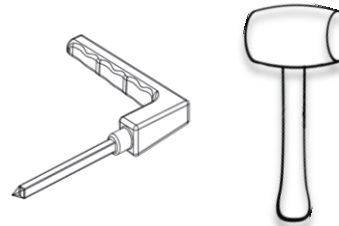
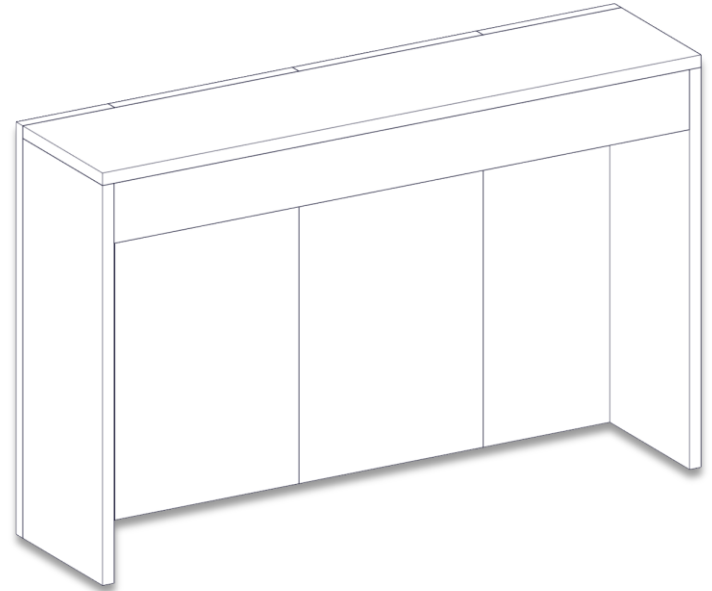
5.



6.

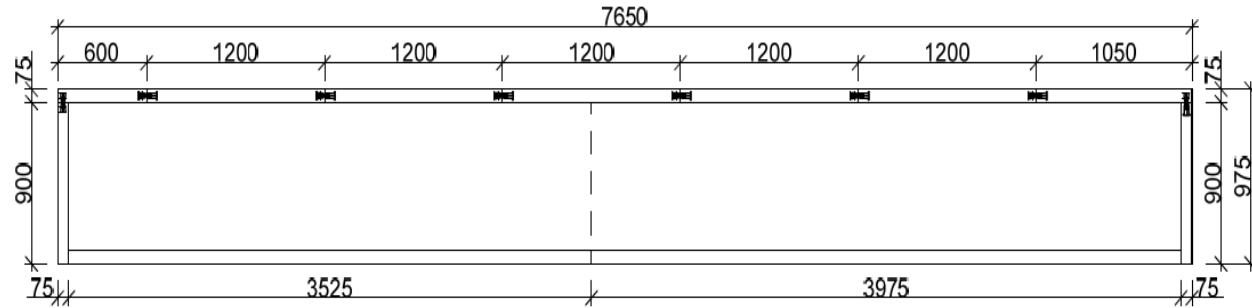
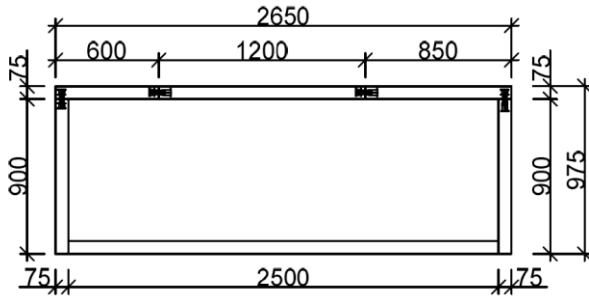


7.



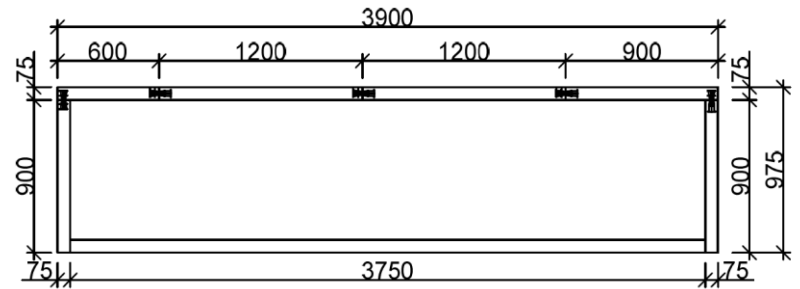
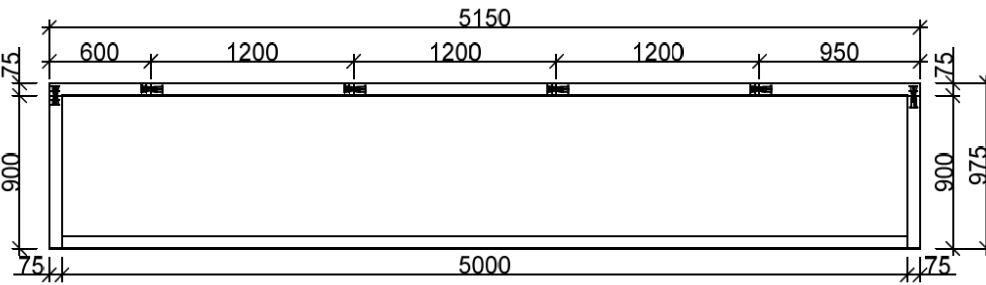
# 2,5m

# 7m

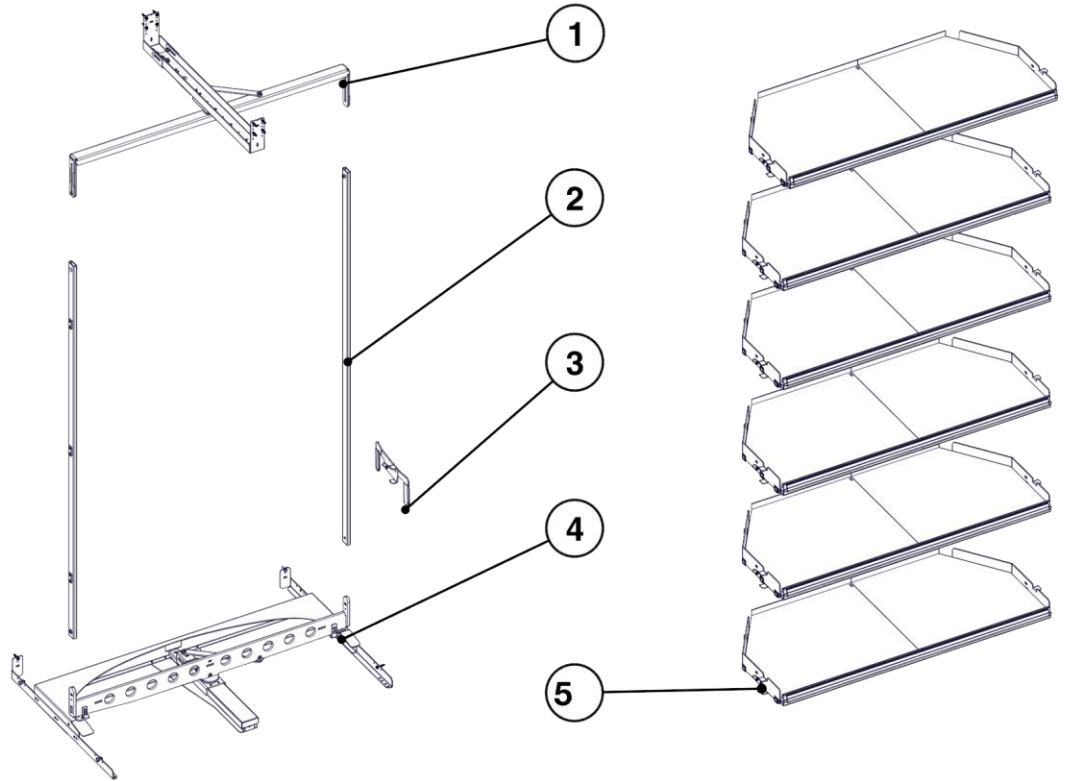
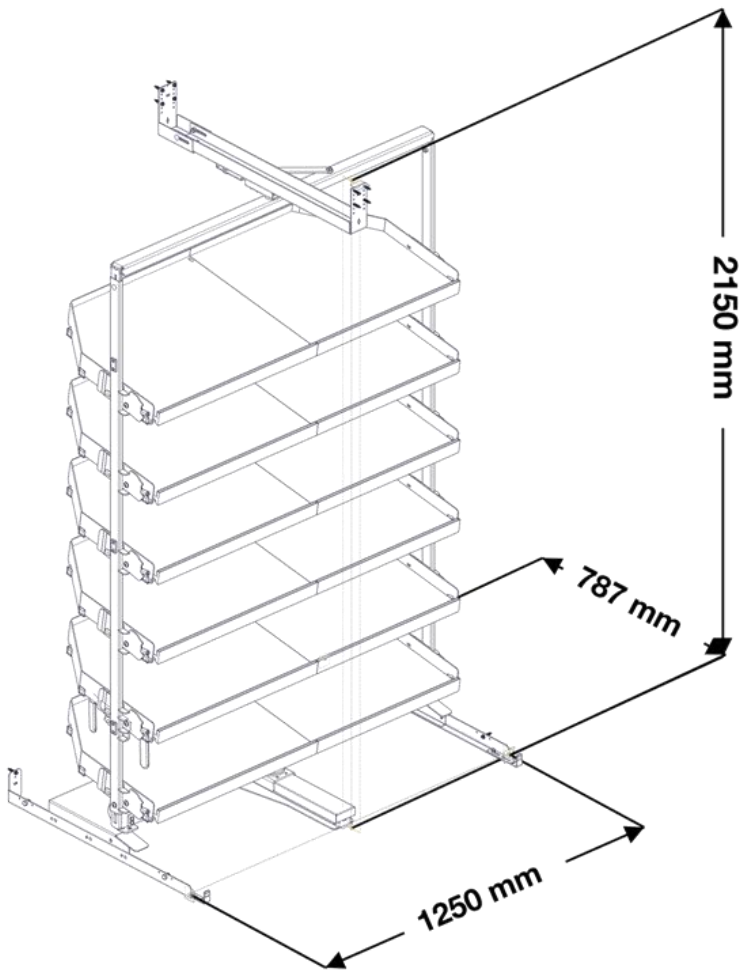


# 5m

# 3,75m

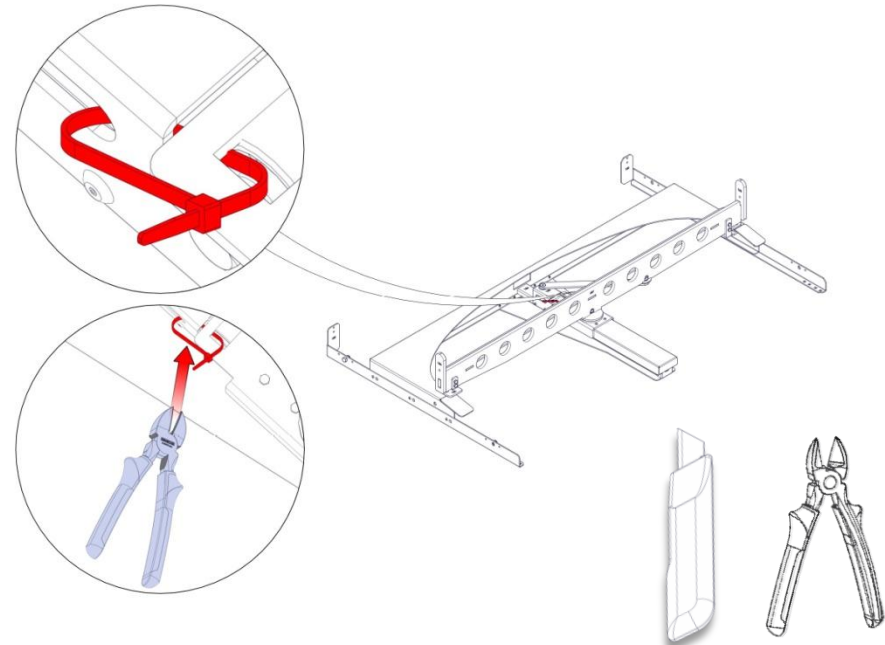
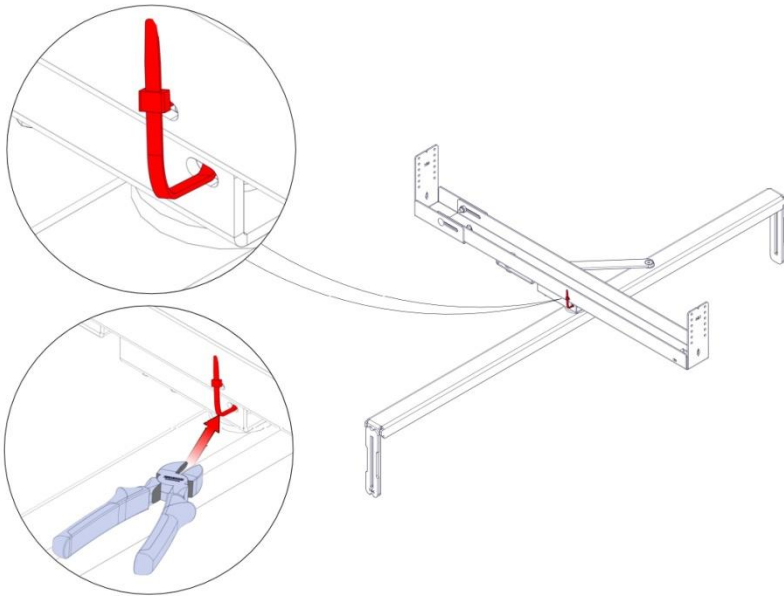
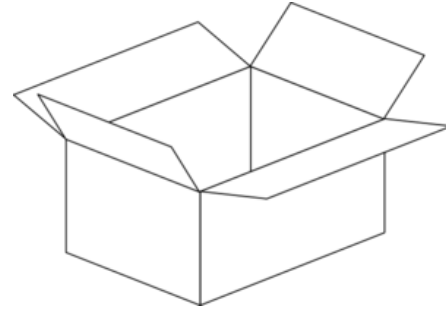
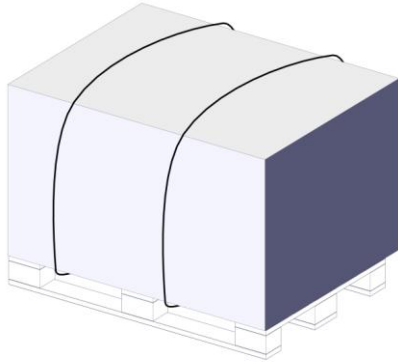


# Installation Turnloader for ColdRoom

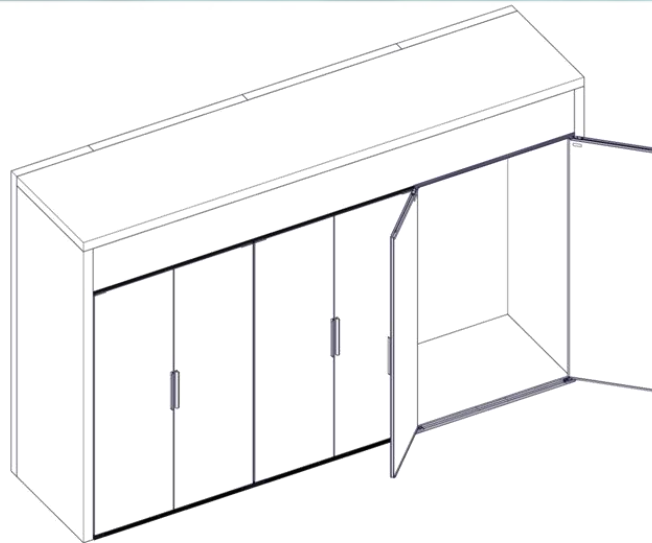


Article Number	BOM ID	Qty
0156-22000-0	1	1
0156-17000-0	2	2
0156-19100-0	3	1
0156-24000-0	4	1
0156-25000-0	5	6

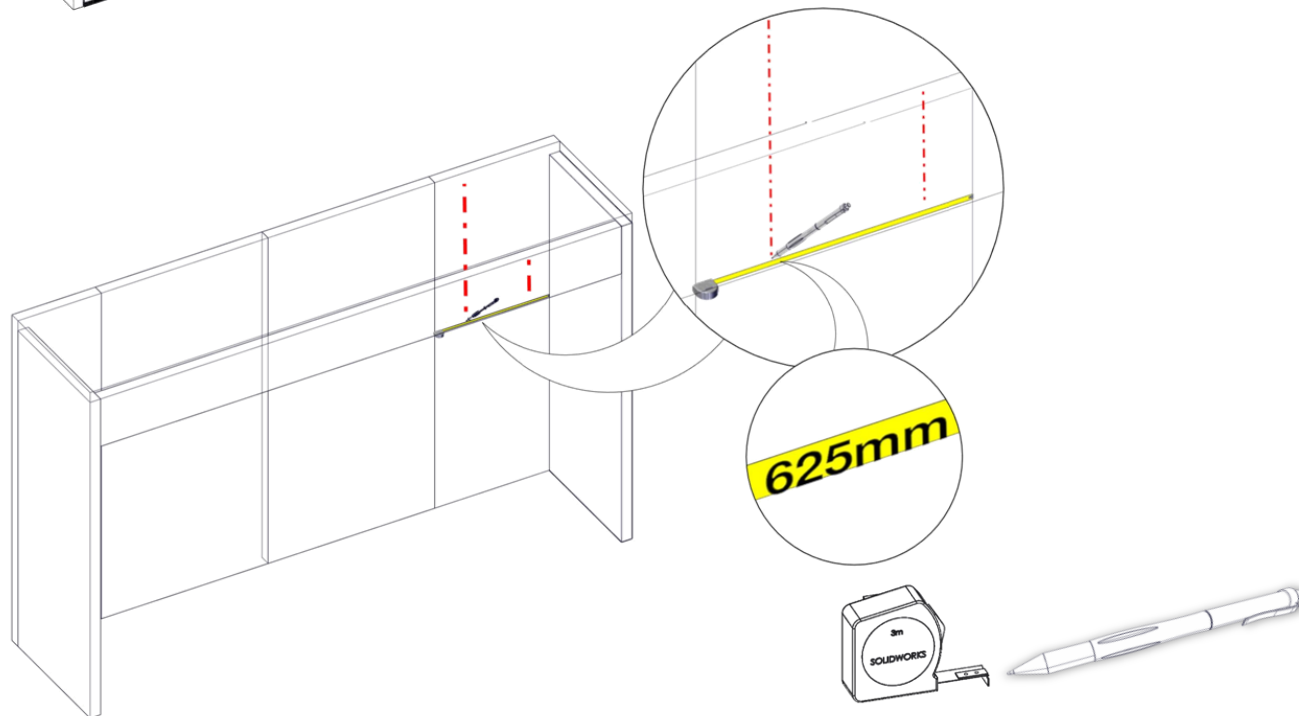




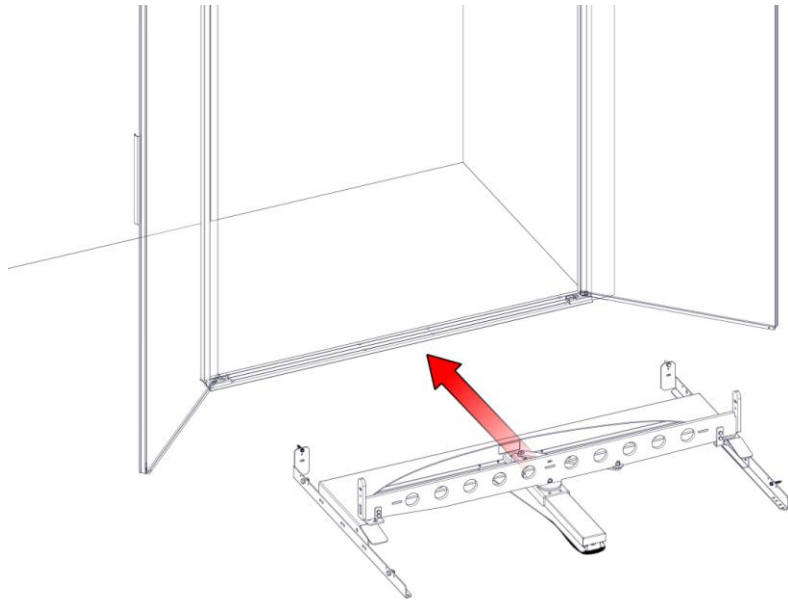
1.



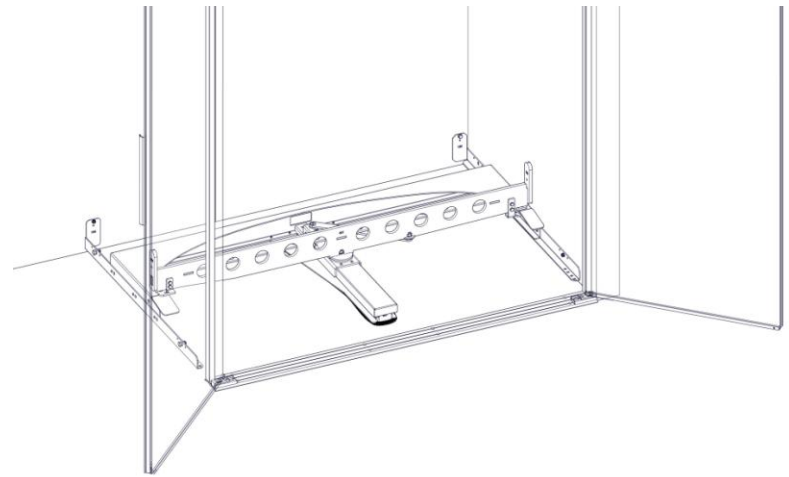
2.



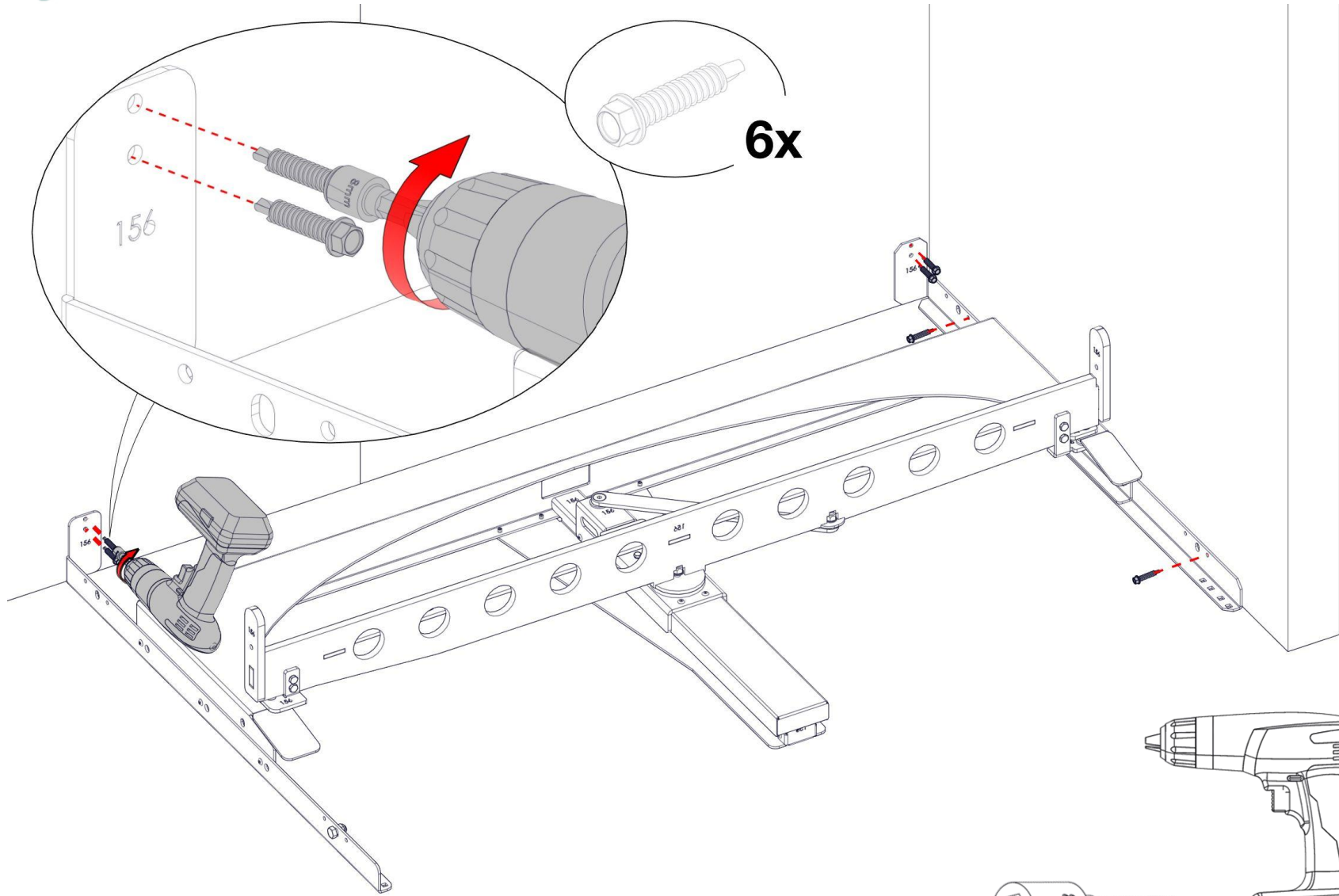
3.



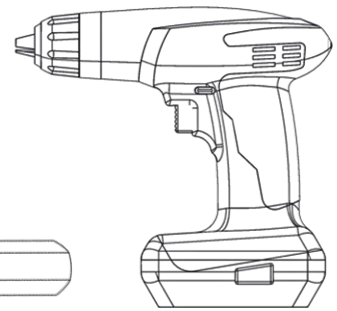
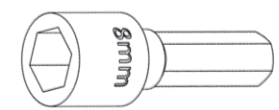
4.



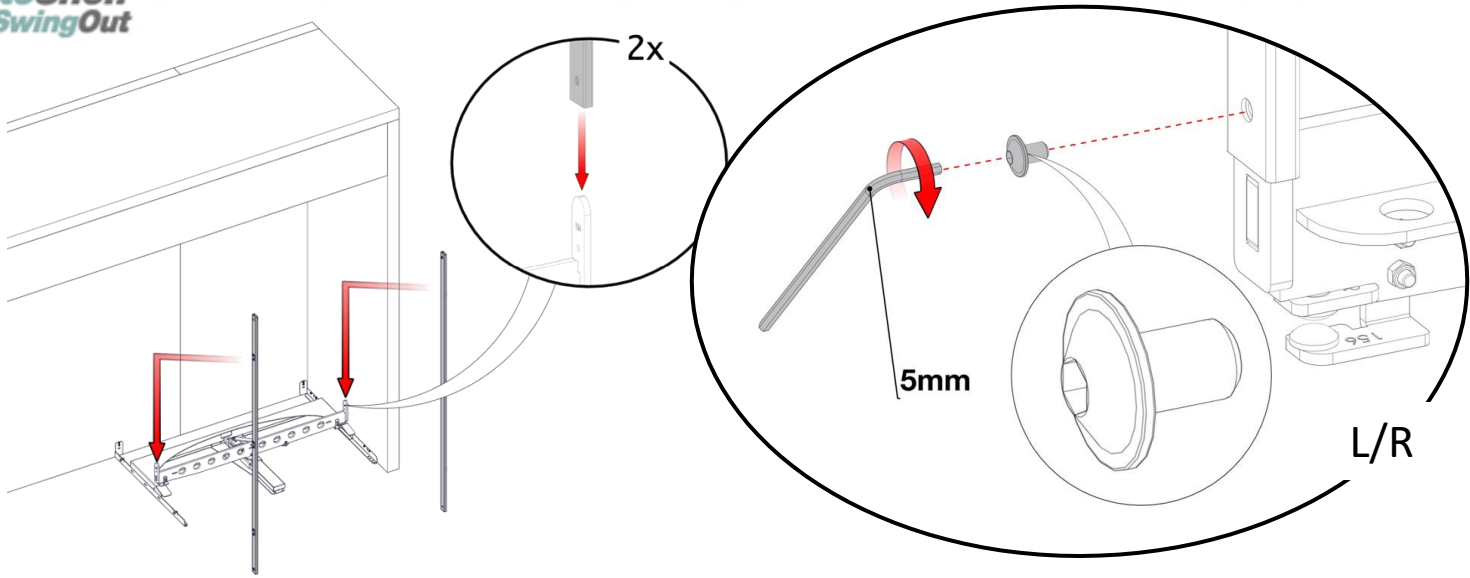
5.



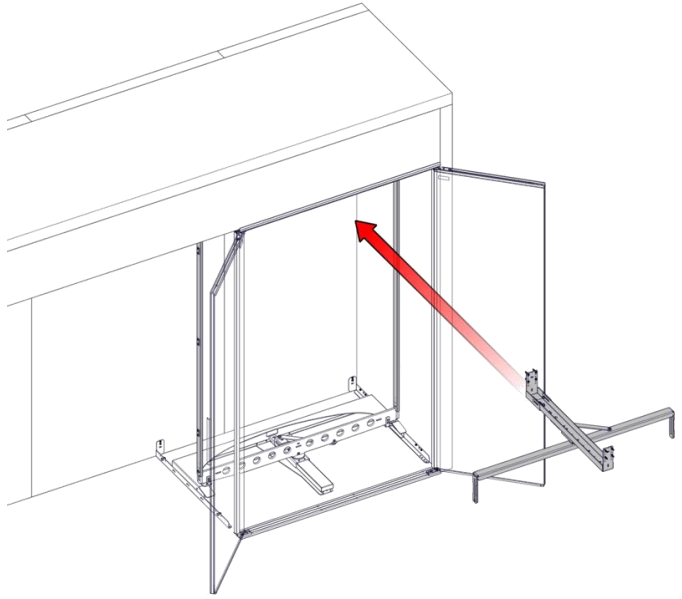
6x



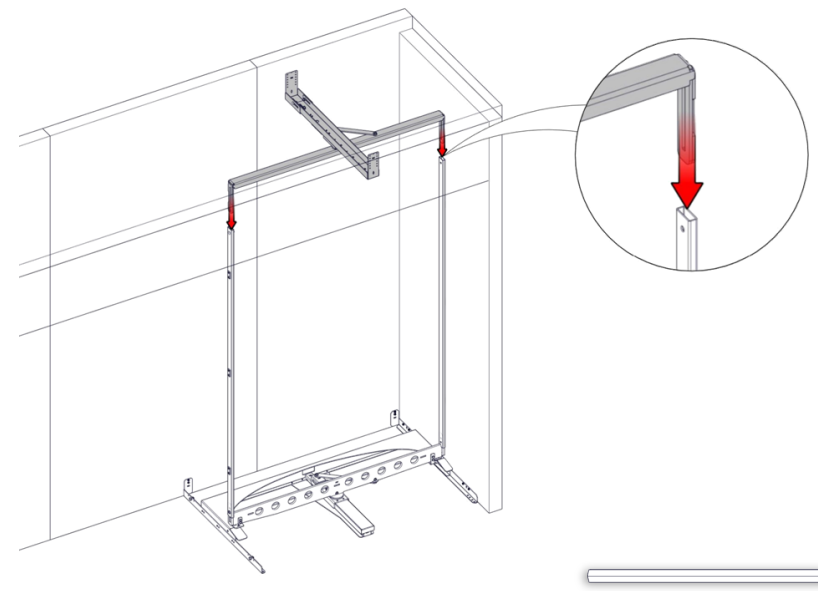
6.



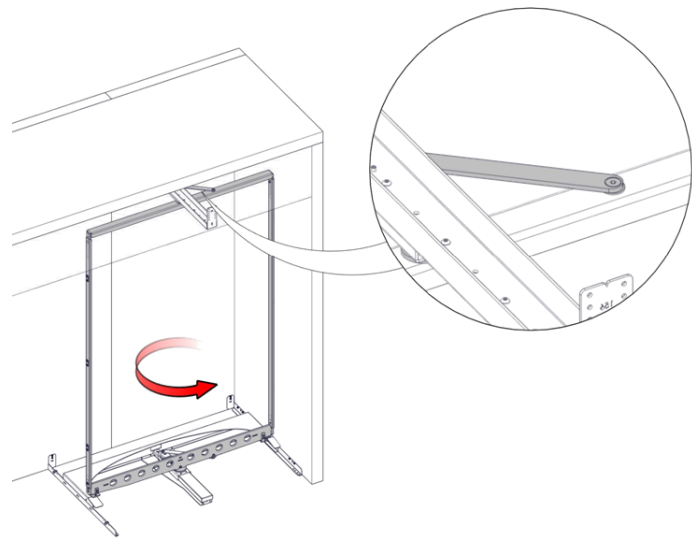
7.



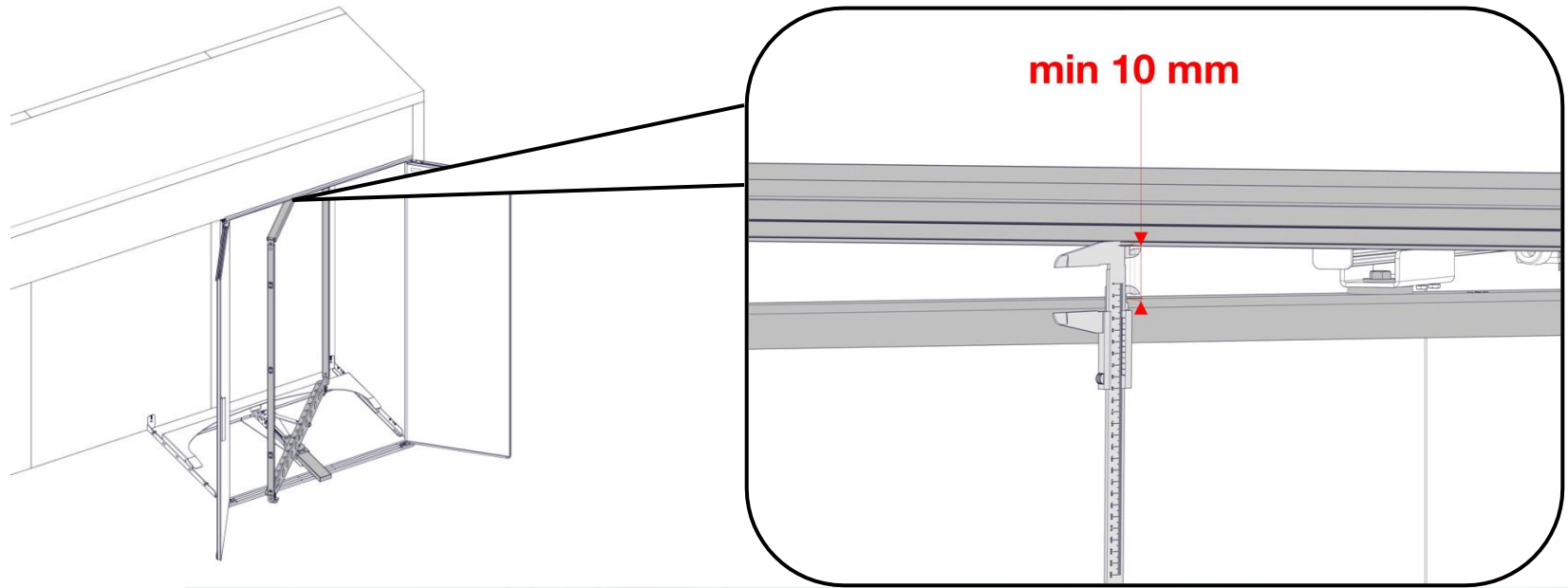
8.



9.

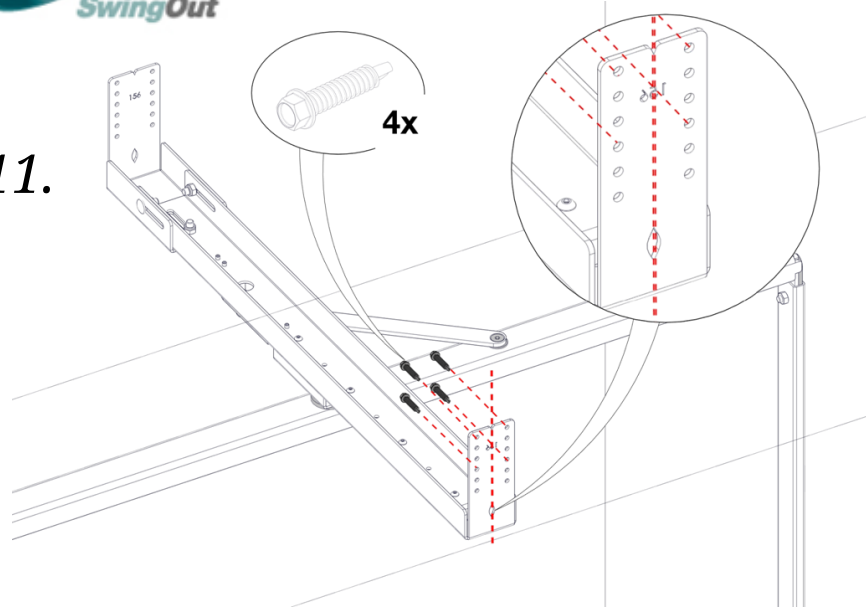


10.

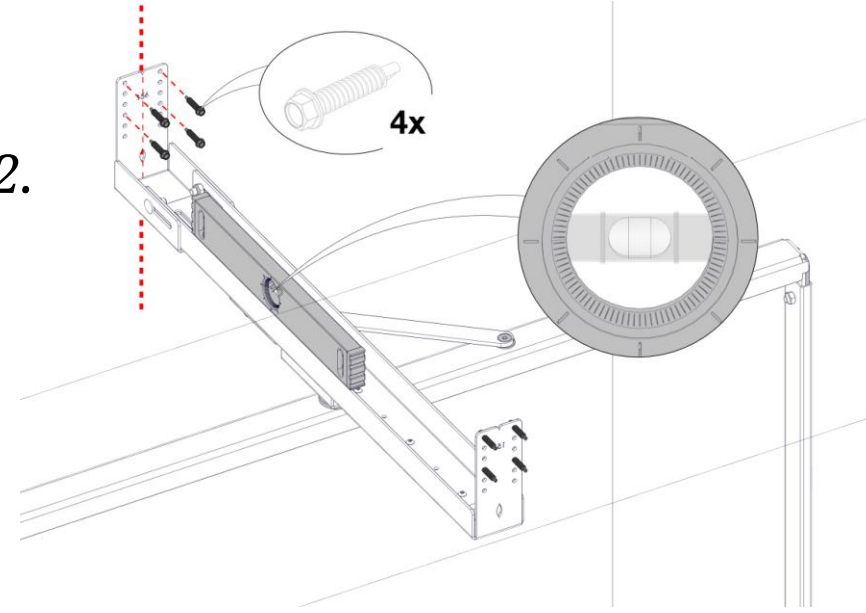




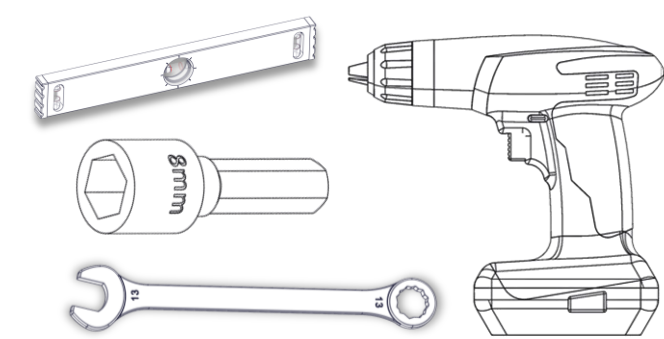
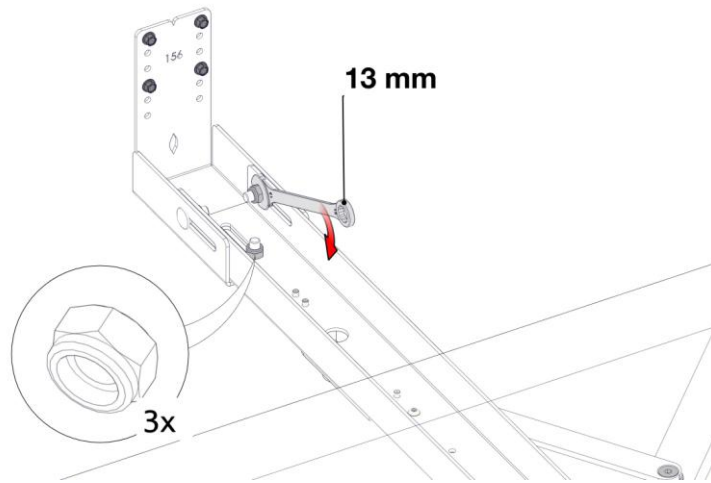
11.



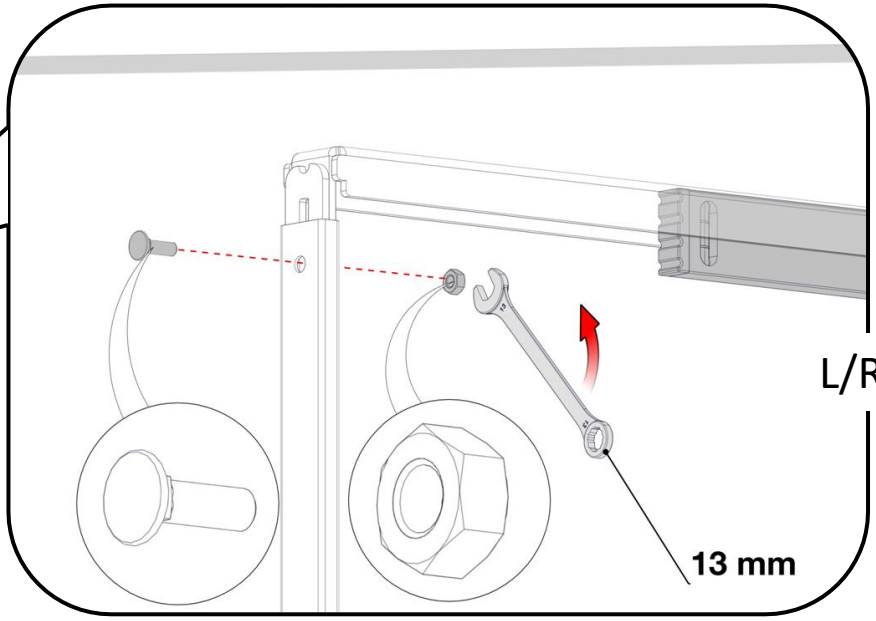
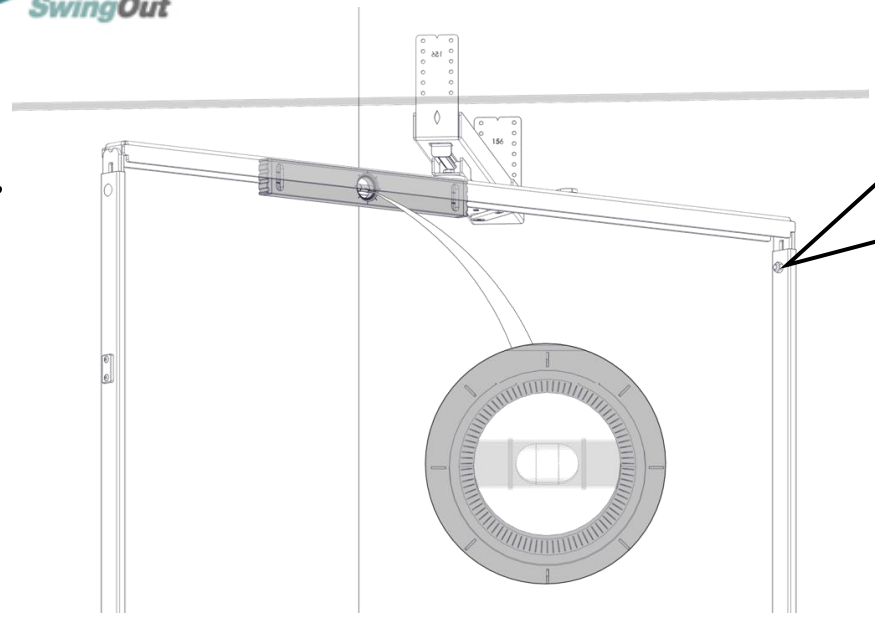
12.



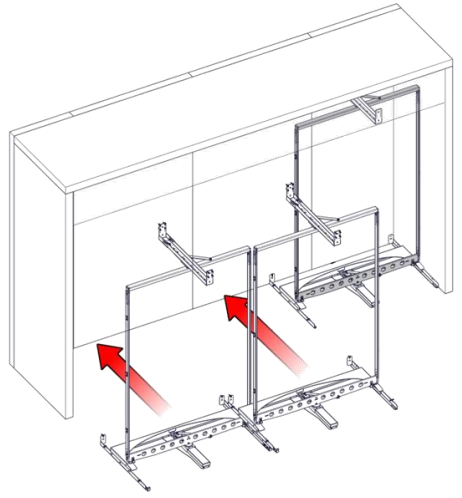
13.



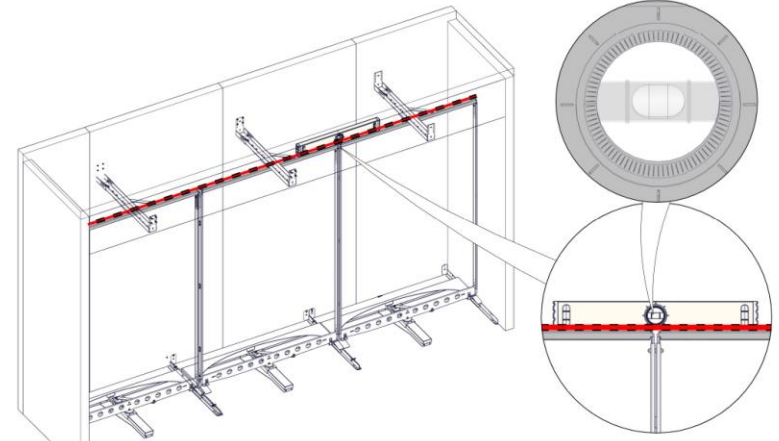
14.



15.

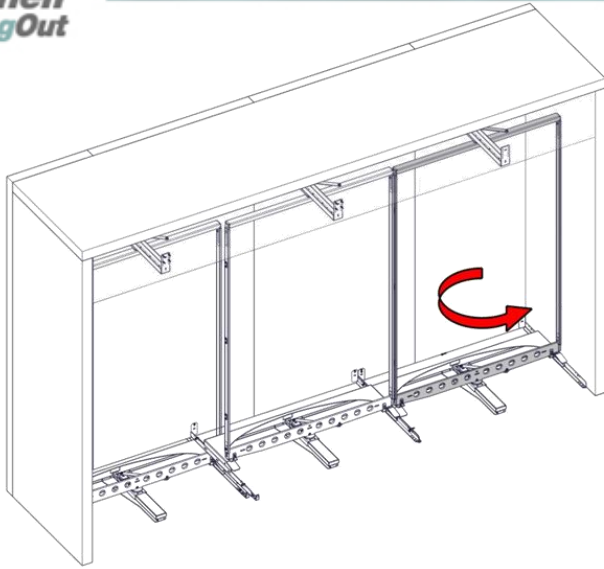


16.

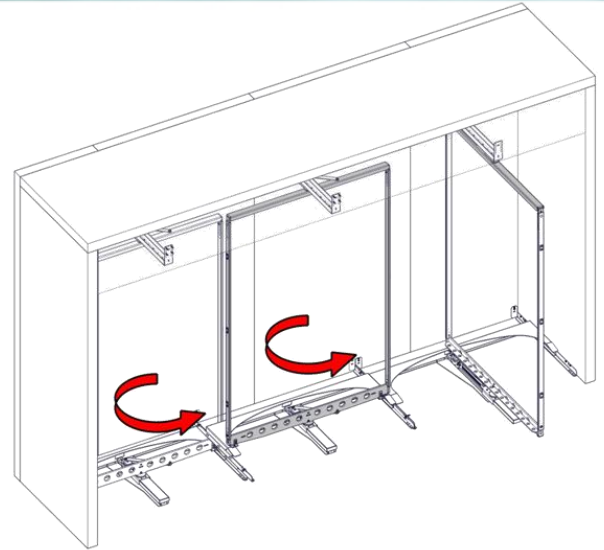




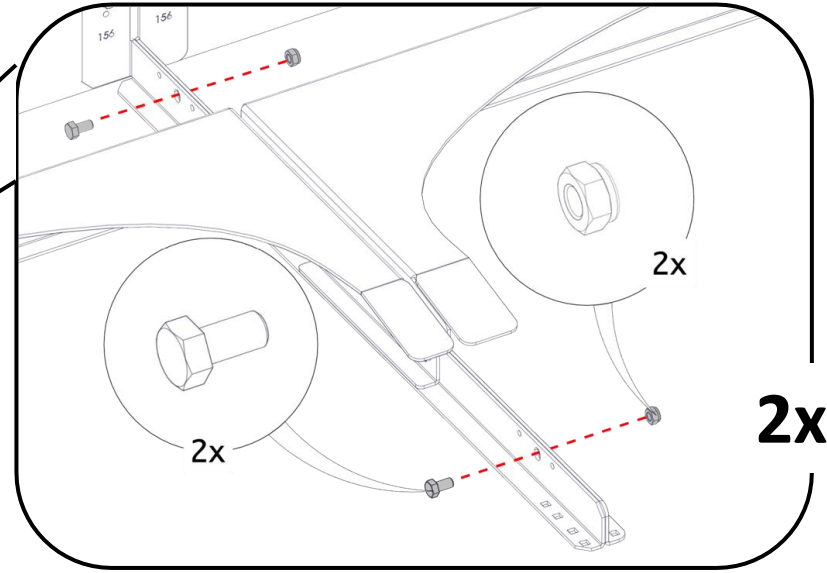
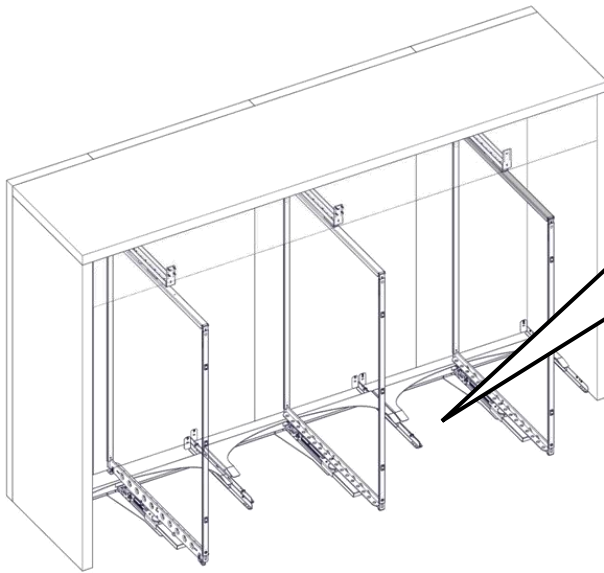
17.



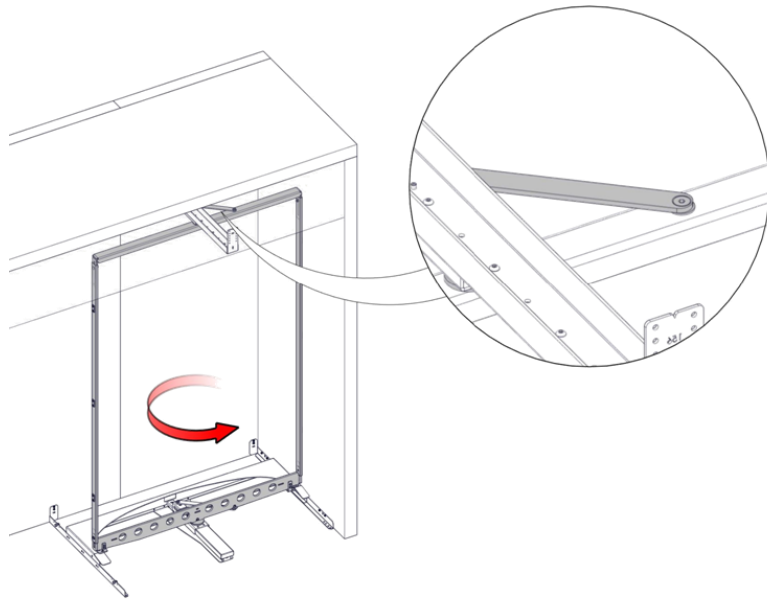
18.



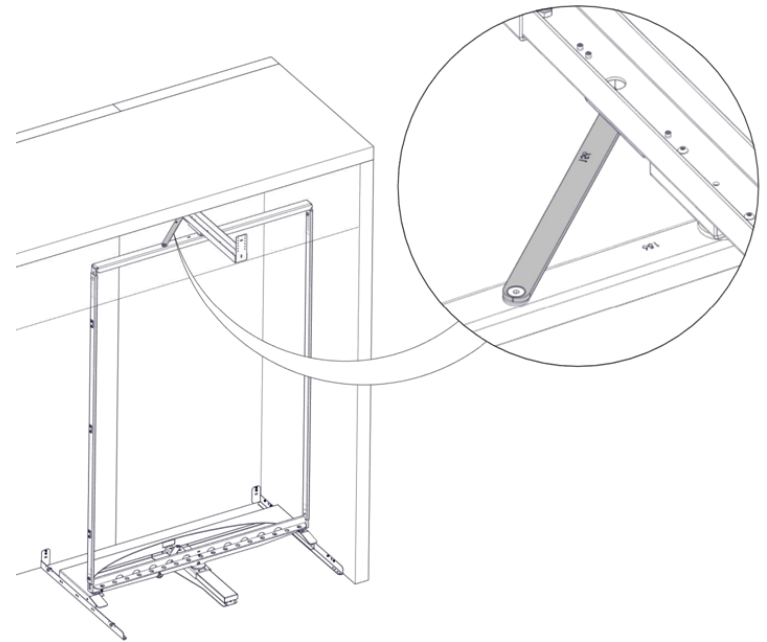
19.



20.

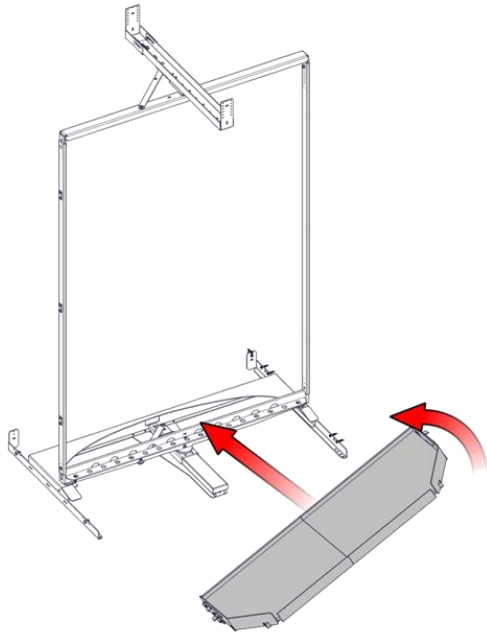


21.

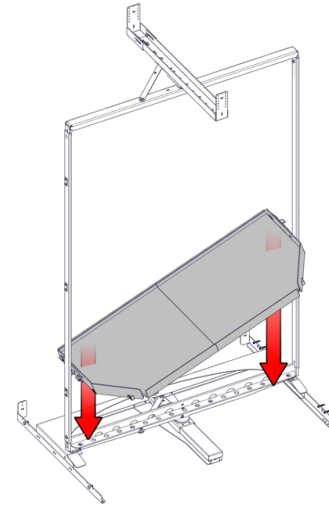


# Installation Adjustable Shelf

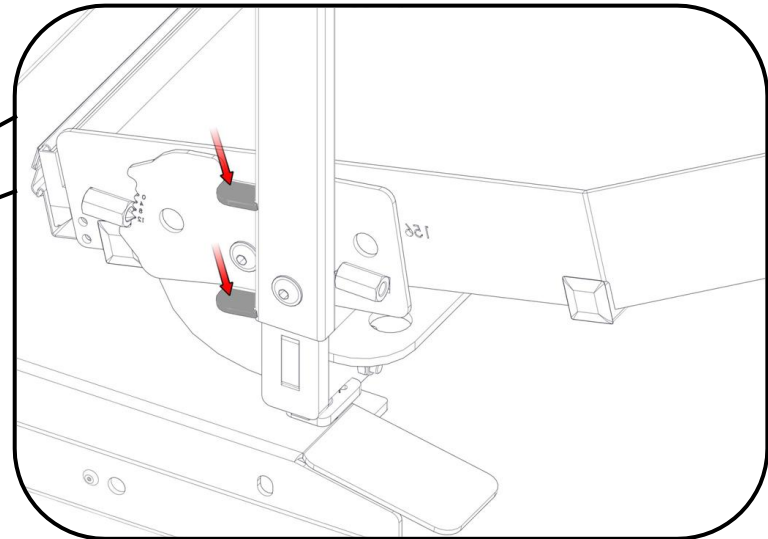
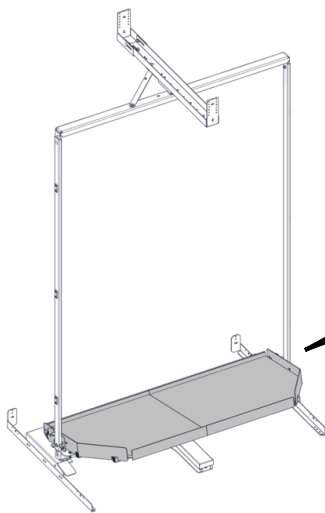
22.



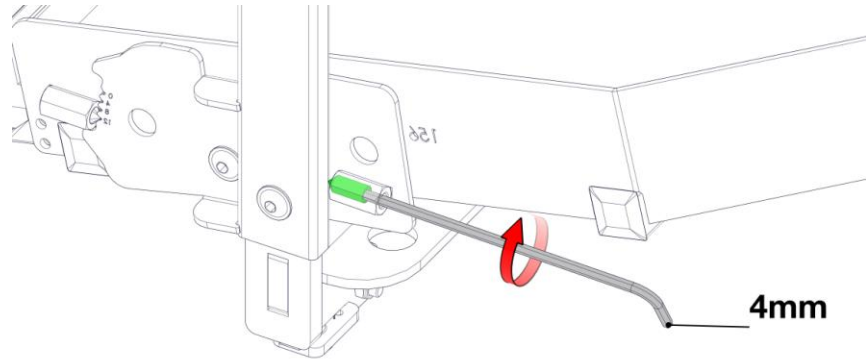
23.



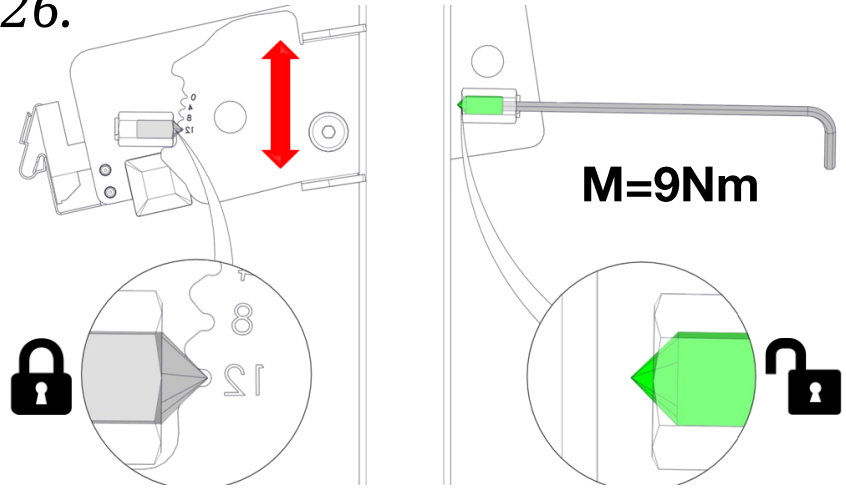
24.



25.

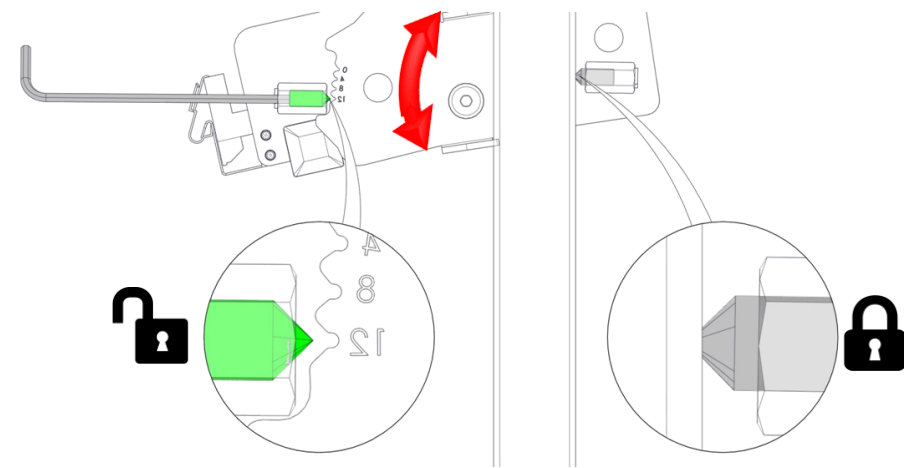


26.

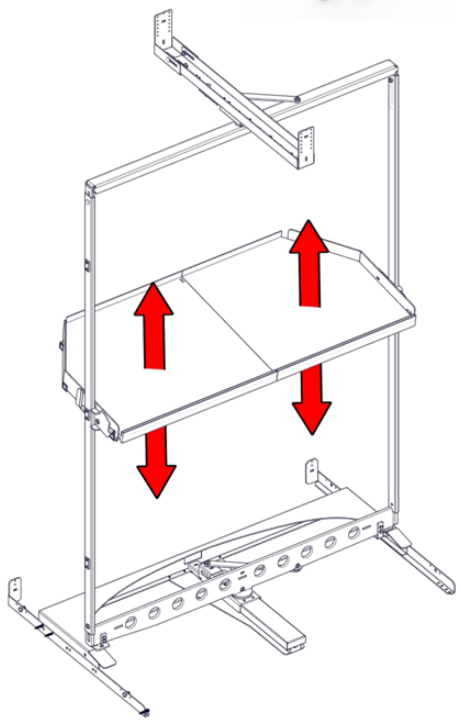


27.

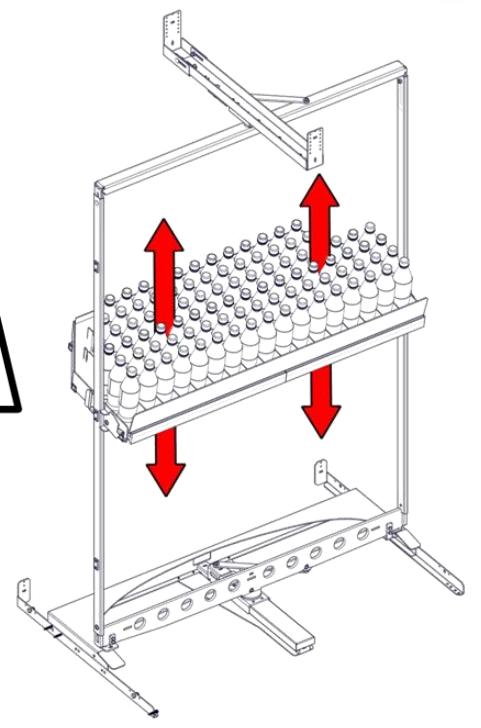
**0°-12°**



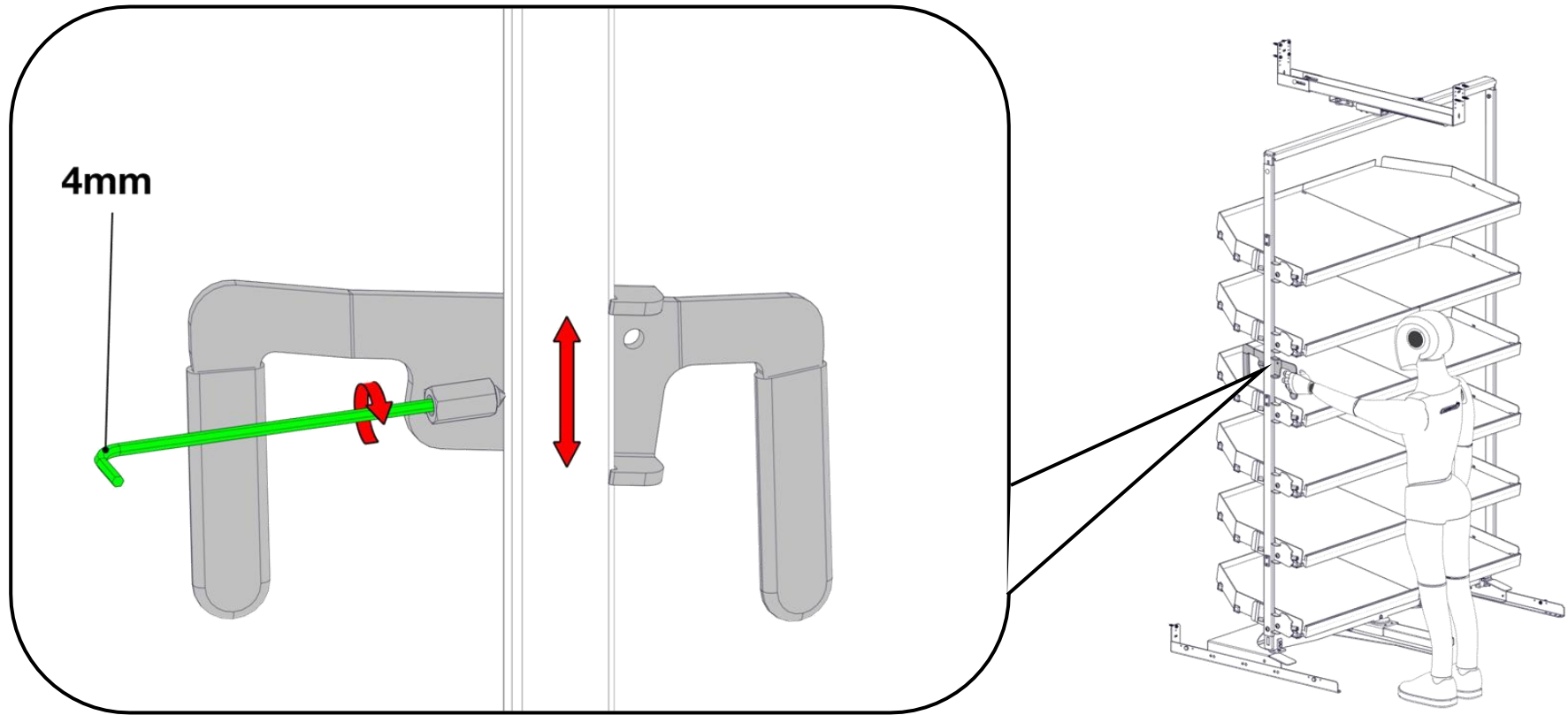
28.

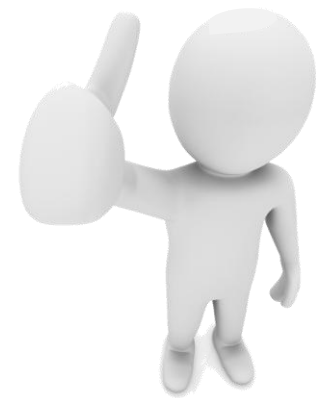
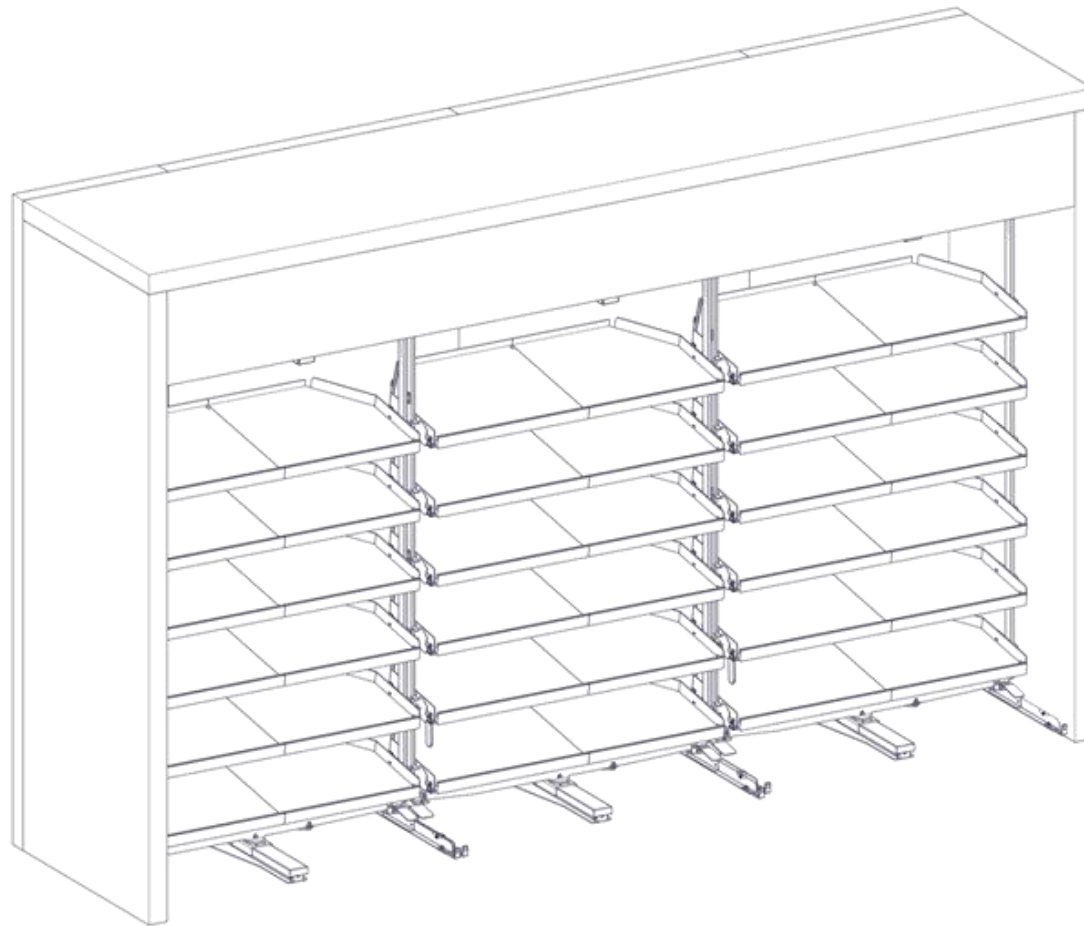


29.



30.

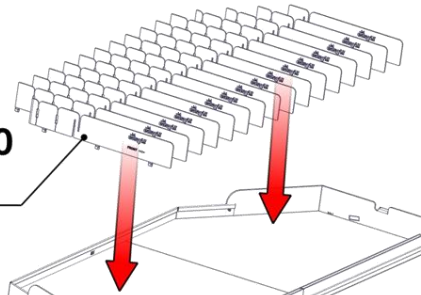






# Installation of shelf accessories

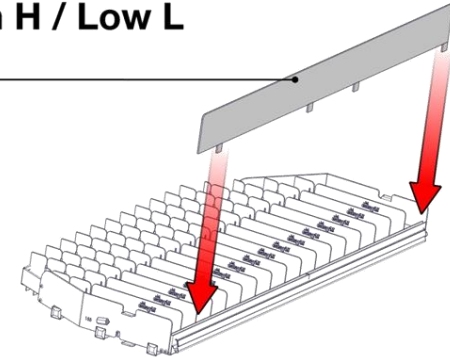
**Divider Easyfill Uni 620**  
400476



**0156-CLSTR**  
459205 -LE 1180



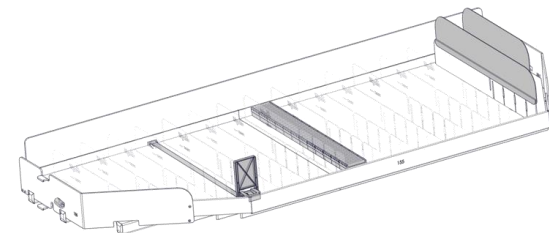
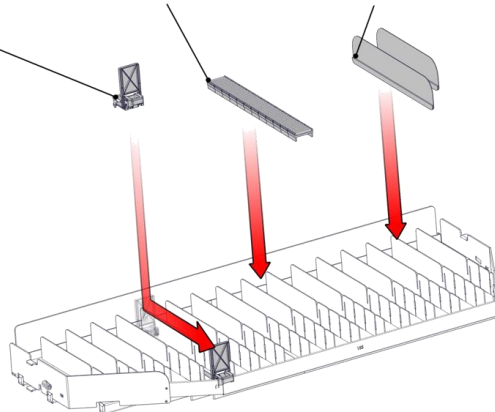
**Front stopper**  
High H / Low L



0118-00000-0

40392

889090





# Thanks!

[www.easyfill.se](http://www.easyfill.se)



**easyfill**  
Clever store shelves